

# YELLOW JACKET<sup>®</sup>

Finally, a directional fan engineered to stand up to industrial use and abuse. Yellow Jacket features a highly efficient, IPX5-rated motor with variable-speed control and an indestructible frame. Mount or wheel it into your grittiest spaces to deliver airflow that cools and refreshes your people, then hose it off and put it right back to work.



## KEY FEATURES

- ▶ **Heavy-gauge steel frame** for durability in industrial applications
- ▶ **Vibration dampening** with high-density polyethylene housing
- ▶ **Three durable fan blades** with progressive-pitch geometry
- ▶ **10 speed settings** with powerful and efficient 1/2 HP motor
- ▶ **BMS integration and fan grouping** with optional BAFCon controller
- ▶ **360° rotation** with lockable positioning and available oscillator

### DIAMETER

**30 INCHES**  
(76 CM)

### MOUNTING

**PORTABLE PEDESTAL,  
WALL/COLUMN, SWIVEL ARM,  
OVERHEAD BEAMS, AND BAR JOISTS**

### VOLTAGE

**110-125 OR 200-240  
SINGLE PHASE VAC**

### WARRANTY

**UP TO  
5 YEARS**



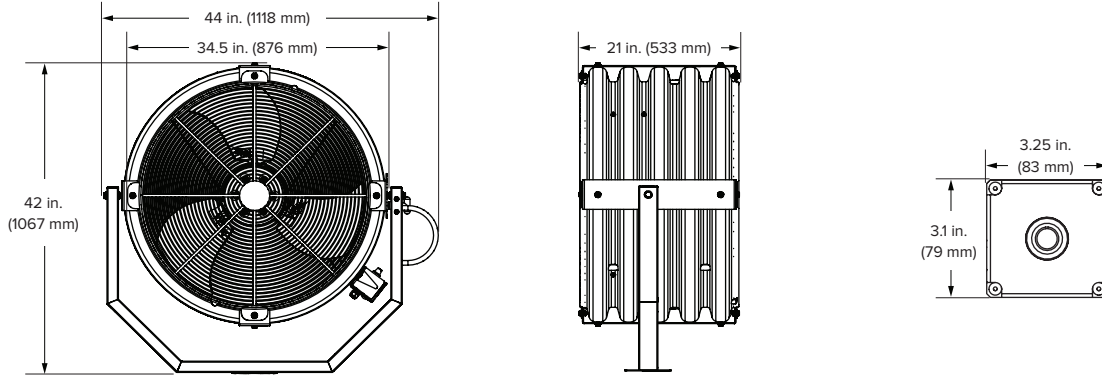
**COMFORT WITHOUT  
COMPROMISE**

## DISCOVER MORE ABOUT YELLOW JACKET

Learn more at [bigassfans.com/yellow-jacket](https://bigassfans.com/yellow-jacket)  
or call **877.BIG.FANS** for a free custom quote.

# YELLOW JACKET

SMASHINGLY DURABLE®

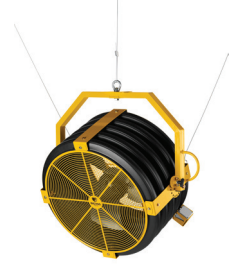


Technical Specifications								
Input power and required breaker	Current	Max speed	Max Power	Temperature range	Sound level at max speed <sup>1</sup>	Weight <sup>2</sup>	Motor	IP Rating
100–125 VAC, 50/60 Hz, 1 Φ, 20 A	7.6–9.8 A	1,300 RPM	553 W	-40° F to 122° F (-40° C to 50° C)	80.2 dBA	105 lb (47.6 kg)	0.5 hp (0.37 kW)	IPX5
200–240 VAC, 50/60 Hz, 1 Φ, 15 A	5.0–5.6 A	1,305 RPM	531 W					

Construction Features					
Cage and Frame	Blades	Power Supply	Controller	Certifications	Colors
Heavy-gauge steel frame with position locking mechanism provides 360 degrees of rotation OSHA-compliant 1/8 inch (3 mm) steel spiral guards High density polyethylene housing with vibration dampening	Three-dimensional progressive pitch blades Made from high-performance polyamide nylon	10 ft (3 m) cord Fits standard power outlets	Remotely mounted or onboard On/Off Variable speed	CSA Standard 22.2 No. 113 	Standard Yellow Custom colors available

Mounting and Accessories			
Portable Base	Wall/Column	Overhead	Accessories
Steel frame and portable base 18 or 36 inch (457 or 914 mm) pedestal	Steel bracket Grade 8 hardware	Optional mounting kits allow fan to be mounted to a beam, bar joists, or ceiling	Swivel Kit Oscillator Kit

### Overhead Mount



### Portable Base



### Wall/Column Mount



<sup>1</sup> Fans are sound tested at maximum speed in a laboratory environment. Actual results in field conditions may vary due to sound reflecting surfaces and environmental conditions.  
<sup>2</sup> Weight only includes fan and yoke.

Lead times may vary.  
 Warranties may vary by country. See full warranty for coverage information.



USA BIGASSFANS.COM 877-244-3267	CANADA BIGASSFANS.COM 844-924-4277	AUSTRALIA BIGASSFANS.COM/AU 1300 244 277	SINGAPORE BIGASSFANS.COM/SG 65 6709 8500
---------------------------------------	--	--	--

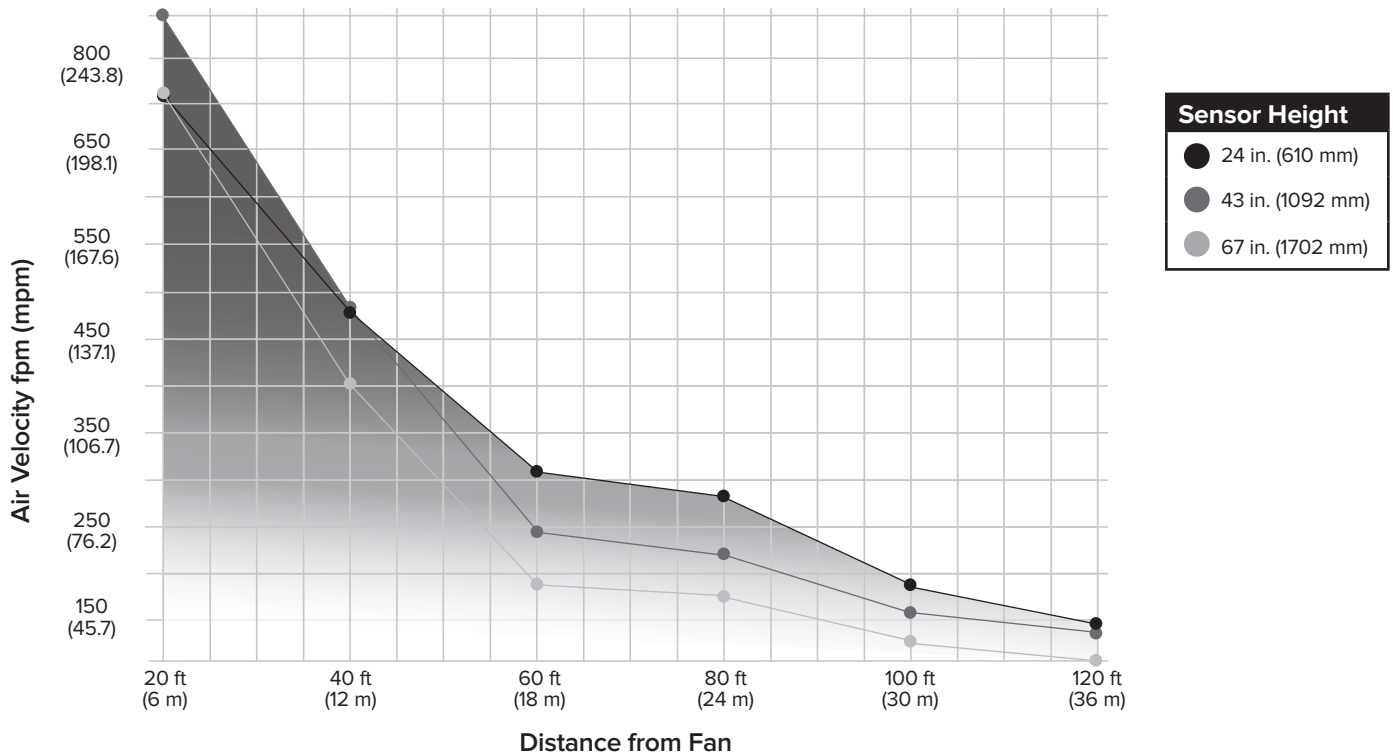
# YELLOW JACKET

## AIRFLOW



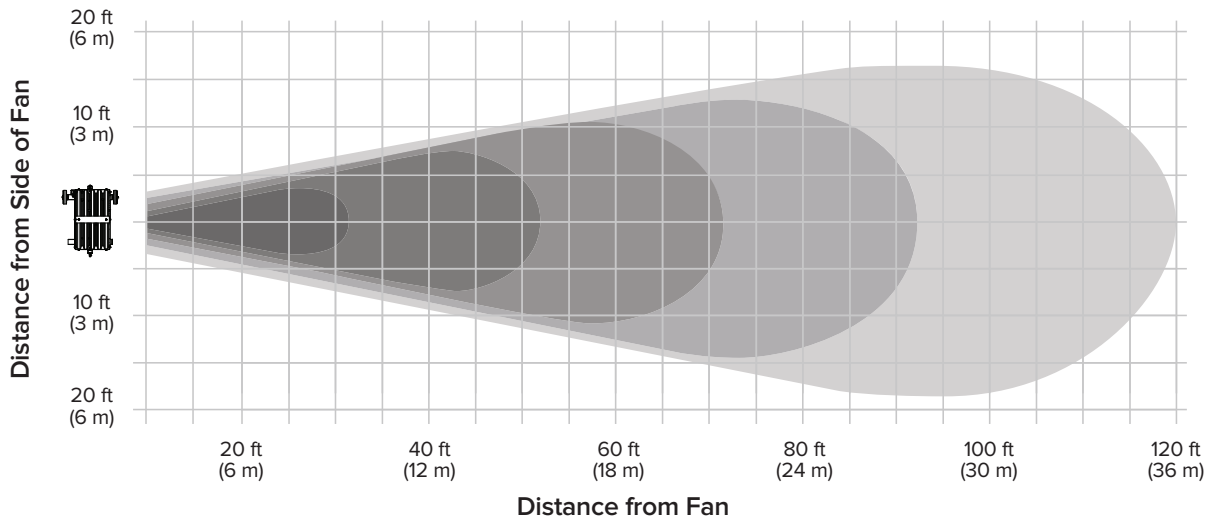
### AIRFLOW VELOCITY

The three lines show air velocity from the center of the fan at three sensors of varying height.



### AIRFLOW DISTANCE

Shaded areas represent cooling up to 120 feet (36.6 meters). That's one-third the length of a football field! Darker shading indicates faster air velocity.



USA  
BIGASSFANS.COM  
877-244-3267

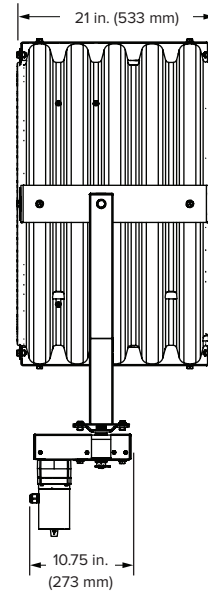
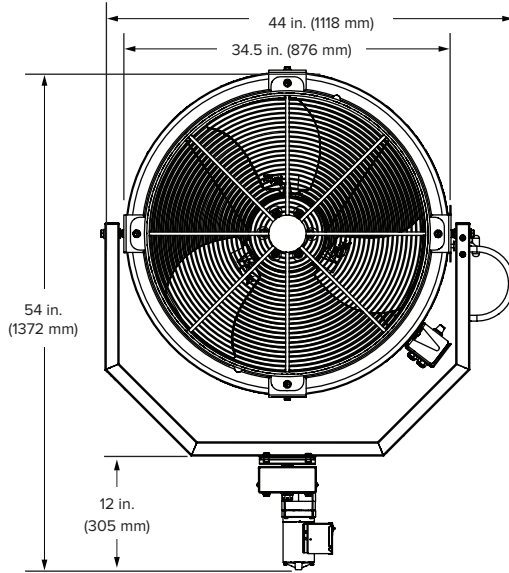
CANADA  
BIGASSFANS.COM  
844-924-4277

AUSTRALIA  
BIGASSFANS.COM/AU  
1300 244 277

SINGAPORE  
BIGASSFANS.COM/SG  
65 6709 8500

# YELLOW JACKET

## OSCILLATOR



### Fan Technical Specifications

Input power and breaker	Current	Max speed <sup>1</sup>	Sound level at max speed <sup>2</sup>	Weight	Motor
100–125 VAC, 1 Φ, 60 Hz, 20 A	7.6–9.8 A	1300 RPM	80.2 dBA	105 lb (47.6 kg)	0.5 hp (0.37 kW)

### Oscillator Technical Specifications<sup>1</sup>

Input Power	Current	Motor	Oscillations per minute	Angle Adjustment
100–125 VAC, 1 Φ	0.33 A	0.05 hp (0.037 kW)	Up to 2.3 OPM	45, 60, or 90 degrees



<sup>1</sup> Speed shown is nominal. Performance is based on actual speed of test.

<sup>2</sup> Measured 5 ft (1.5 m) from fan. Fans are sound tested at maximum speed in a laboratory environment. Actual results in field conditions may vary due to sound reflecting surfaces and environmental conditions.

Lead times may vary. See full warranty for coverage information.



USA  
BIGASSFANS.COM  
877-244-3267

CANADA  
BIGASSFANS.COM  
844-924-4277

AUSTRALIA  
BIGASSFANS.COM/AU  
1300 244 277

SINGAPORE  
BIGASSFANS.COM/SG  
65 6709 8500